



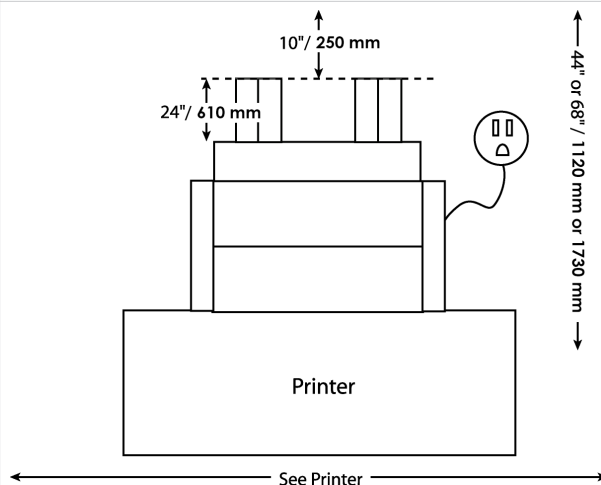
## KIP 1200 SPECIFICATIONS



### Space, Electrical, and Environmental Requirements

Compatible with	KIP 71 Series, KIP 75 Series, KIP 79 Series
Weight	80 kg
Dimensions	1040 mm (w) x 860 mm (d) x 740-860 mm (h)
Print Rack	Adjustable to fit E size / A0 prints
Minimum Distance from Wall	
Rear	250 - 860 mm
Left	150 mm
Right	150 mm
Front	See Printer Spec
Total Space	1350 mm (w) x 1730 mm (d)
Electrical (Dedicated)	120 V, 5 Amps
Print Rack	Capacity: Up to 1000 sheets (20 lb./75 gsm Plain Bond Paper)

### Spatial Requirements



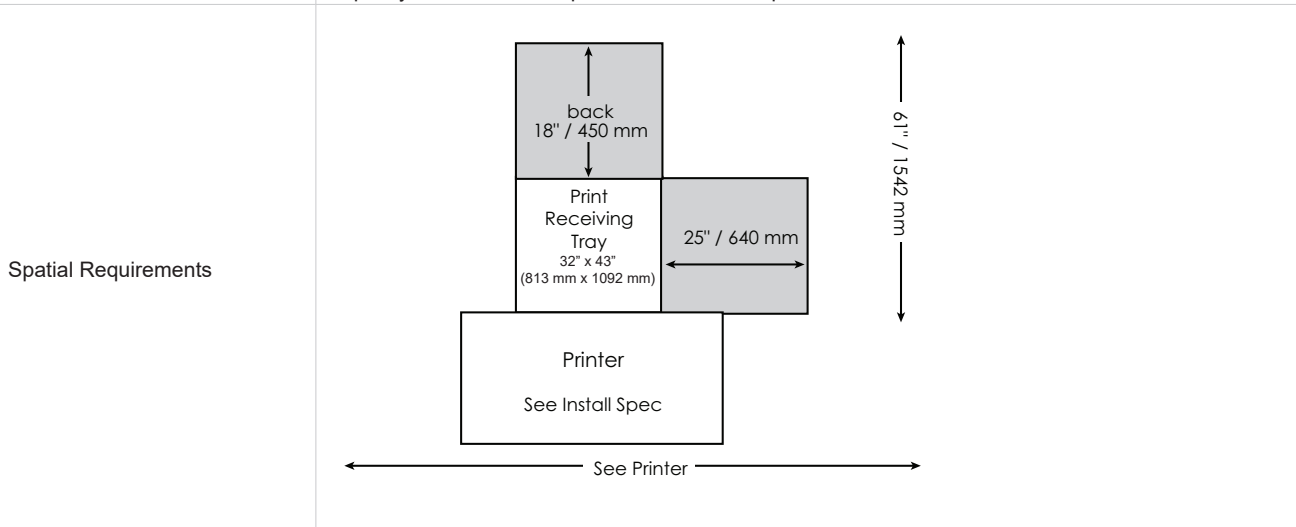


## REAR PRINT RECEIVING TRAY



### Space, Electrical, and Environmental Requirements

Compatible with	KIP 71 Series
Dimensions	813 mm (w) x 1092 mm (d)
Minimum Distance from Wall rear (with flat output down)	450 mm
Left	N/A
Right	640 mm
Front	See Printer Spec
Print Rack	Capacity: 100 D / A1 size prints, 75 E / A0 size prints



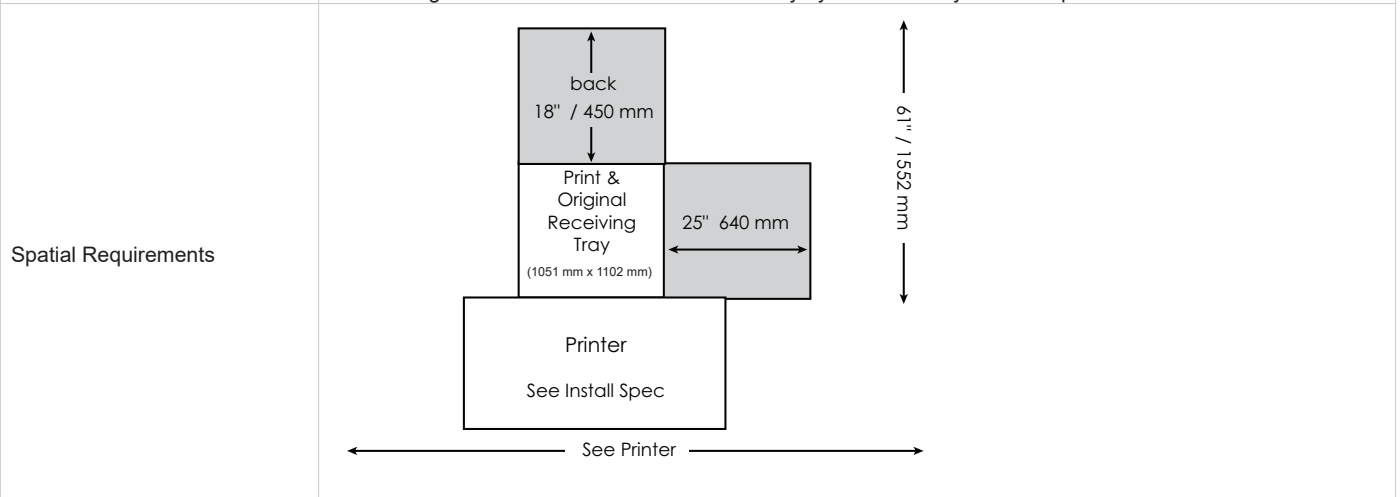


## KIP PRINT AND ORIGINAL RECEIVING TRAY



### Space, Electrical, and Environmental Requirements

Compatible with	KIP 71 Series
Weight	18 kg
Dimensions	1,051 mm (w) x 1,102 mm (d) x 1,192 mm (h)
Minimum Distance from Wall rear (with flat output down)	450 mm
Left	N/A
Right	640 mm
Front	See Printer Spec
Print Rack	Adjustable to fit up to 100 (with modification on next page) A – E / A4 - A0 size prints plain paper
Scan Rack	10 sheets A – E / A4 - A0 size prints plain paper NOTE: Originals should be moved toward the tray by hand at every scan completion.

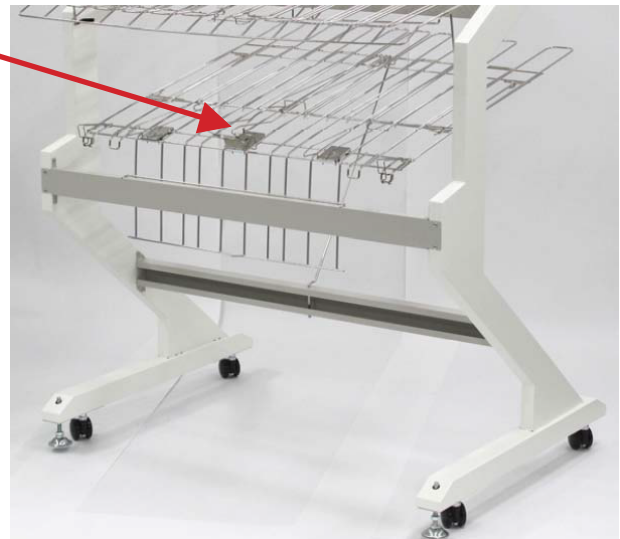
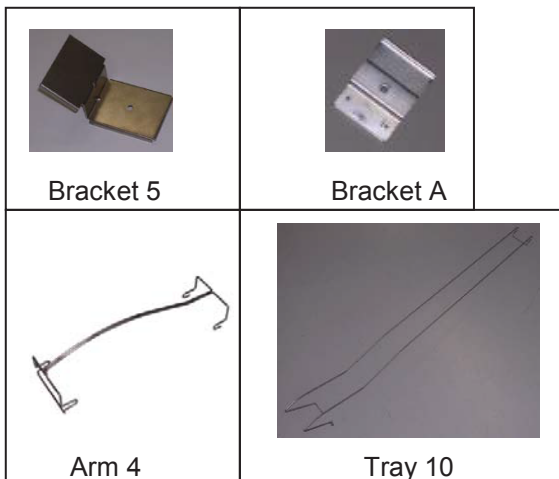




## ORIGINAL & PRINT TRAY ADJUSTMENT PROCEDURE

These instructions show how to increase the print capacity of the KIP 71 Series Print Receiving tray to up to 100 sheets. NOTE: The total stacking capacity may vary due to environmental conditions, media type and weight

1. Remove the following 4 items from the centre of the KIP 7170 Print Receiving tray.



2. Print Receiving Tray without centre guides



3. 100 D-size / A1 prints stacked



NOTE: The centre guides are used to prevent the prints from rolling up as they exit the printer. This can occur in high humidity environments and or near the end of a paper roll where the curl is more progressive. Reinstall the centre guides if necessary.



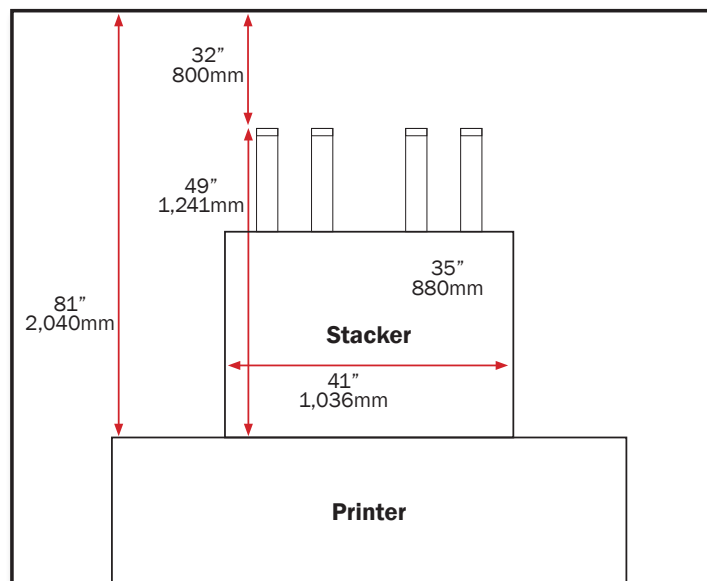
## KIP 800 SERIES STACKER SPECIFICATIONS



### Space, Electrical, and Environmental Requirements

Compatible with	KIP 860, KIP 870, KIP 880, KIP 890
Capacity	200 sheets of plain paper
Input Power	24Vdc, 1A
Dimensions	41" (W) x 35" (D) x **25" (H) / 1,036mm (W) x 880mm (D) x **621mm (H) * 49" / 1,241mm with using Paper Support ** 17" / 414mm (When it is set to the lowest position.)
Weight	77 lbs. / 35kg

### Spatial Requirements





## KIP 900 SERIES STACKER SPECIFICATIONS



### Space, Electrical, and Environmental Requirements

Compatible with	KIP 970, 980, 990
Capacity	Up to 700 ISO standard page size documents (20# 70-90gms Bond)
Wait Time	None
Power Supply	Connection to printer, no additional power is required
Power Consumption	Included with printer specifications (2A)
Noise	Less than 60db (impulse)
Dimensions	1,027mm (W) x 1,245mm (D) x 1,120mm (H) (with trays extended)
Weight	151 Kgs

